




PYROBELITE 7

FIRE RESISTANT GLAZING EW 30
ACCORDING TO EN13501-2

DESCRIPTION

Pyrobelite 7 is a laminated glass assembled with one clear intumescent interlayer. In the event of fire, the interlayer transforms into a rigid and opaque fire shield, that keeps out flames and reduces heat transmission. Pyrobelite 7 and 7EG provide fire resistance in both directions.

TECHNICAL DATA

Specification / Identification	Pyrobelite 7  yourglass.com	Pyrobelite 7 EG  yourglass.com	Pyrobelite 7 / 7 EG  yourglass.com
Glazing type	Single	Single	Double glazed
Grade	Internal	Internal / External	Internal / External
Glass thickness	7.9 mm	11.3 mm	min 23.6 mm
Thickness tolerance	± 0.9 mm	± 1 mm	± 2 mm
Dimension tolerance	± 2 mm	± 2 mm	± 3 mm
Weight	ca 17 kg/m ²	ca 25 kg/m ²	min 32 kg/m ²
Minimum dimensions	No minimum	No minimum	200 x 400 mm
Light properties (EN 410): τ_v / ρ_v [%]	89/8	87/8	NPD
U value (EN 673)	5.7 W/(m ² .K)	5.5 W/(m ² .K)	NPD
Impact resistance (EN 12600)	3B3	1B1	NPD
Sound reduction (EN 12758): Rw(C, Ctr)	34 dB (0; -3)	35 dB (-1; -2)	NPD

NPD: No performance declared - see Glass Configurator on www.yourglass.com

CERTIFICATIONS according to EN 1364-1, EN 1634-1 & EN 13501-2

APPLICATION (*)	REPORT NUMBER	Glazing	Tested dimensions in mm l x h (**)			Results (minutes)	
			Portrait	Landscape	Surface	EW	EI
Partition	13409 B	Pyrobelite 7	1100 x 2874	1698 x 710	3.16 m ²	44	10
	162123		840 x 2884	1958 x 820	2.42 m ²	37	7
	13238 B	Pyrobelite 7 EG	840 x 2874	1958 x 710	2.41 m ²	38	10
	14891 B	Pyrobelite 7 IGU	1000 x 2874	1783 x 850	2.87 m ²	42	13
Steel – Jansen Economy 60	R06277	Pyrobelite 7 & Pyrobelite 7 EG	1205 x 2005	1421 x 777	2.42 m ²	37	8

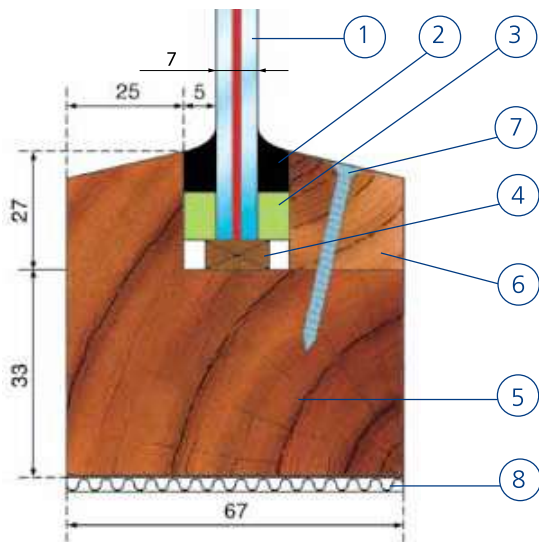
(*) For alternative systems, please consult AGC

(**) Extended application of results following EN 15254-4

PYROBELITE 7

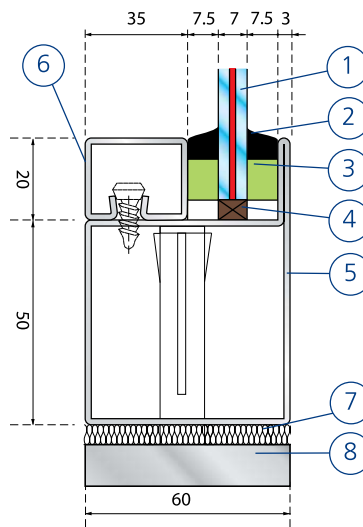
FIRE RESISTANT GLAZING EW 30 ACCORDING TO EN 13501-2

Timber frame (in mm)



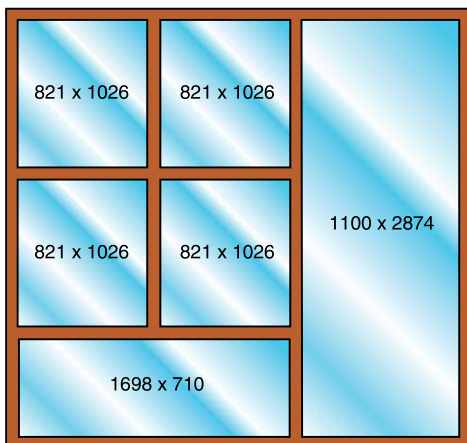
REPORT N° 13409 B

Steel frame (in mm)



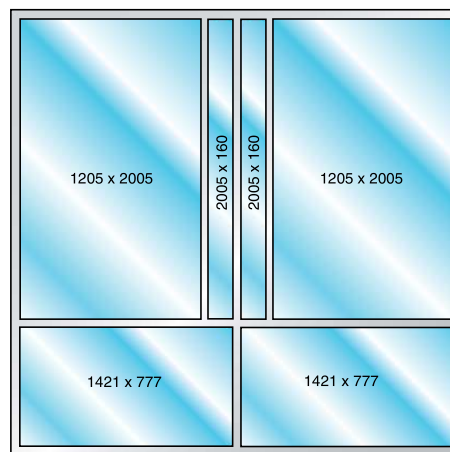
REPORT N° R06277

Example of assembly (in mm)
Unlimited partition



REPORT N° 13409 B

Example of assembly (in mm)
Unlimited partition



REPORT N° R06277

- 1 Pyrobelite 7 or 7 EG
- 2 DC Firestop 700
- 3 Ceramic fibre paper: Superwool X607 15 x 5 mm
- 4 Setting block
- 5 Hardwood
- 6 Wooden Beads
- 7 Steel screw
- 8 Ceramic or mineral wool

- 1 Pyrobelite 7 or Pyrobelite 7EG
- 2 Sealant DC 815
- 3 Ceramic fibre paper: Superwool X607 15 x 5 mm or Fiberfrax 15 x 4 mm
- 4 Setting block
- 5 Steel frame
- 6 Steel beads
- 7 Ceramic or mineral wool
- 8 Partition

Fire Resistant Glass C+E ENG - PrintActive - April 2013



All of the installation details given in the report must be respected. The only authorised modifications are those mentioned in the report.

www.yourglass.com

GLASS UNLIMITED

AGC Glass Europe – plant Seneffe, Parc industriel, Zone C, B-7180 Seneffe, Belgium, pyrobel@eu.agc.com, Tel.: +32 64 51 05 19, Fax: +32 64 55 80 80
AGC Glass Czech – plant Oloví, Sklářská 300, 357 07 Oloví, Czech Republic, jan.vilcek@eu.agc.com, Tel.: +420 35 23 68 688, Fax: +420 35 23 68 66

PYROBEL 8

FIRE RESISTANT GLAZING EI 15 AND EW 30


ACCORDING TO EN 13501-2

DESCRIPTION

Pyrobel 8 is a laminated glass assembled with one clear intumescent interlayer.

In the event of fire, the interlayer transforms into a rigid and opaque fire shield, that keeps out flames and reduces heat transmission with insulation of the partitions. Pyrobel 8 and 8 EG provide fire resistance in both directions.

TECHNICAL DATA

Specification / Identification	Pyrobel 8  yourglass.com	Pyrobel 8 EG  yourglass.com
Glazing type	Single	Single
Grade	Internal	Internal / External
Glass thickness	9.3 mm	13.1 mm
Thickness tolerance	± 1 mm	± 1.3 mm
Dimension tolerance	± 2 mm	± 2 mm
Weight	ca 20 kg/m ²	ca 28 kg/m ²
Minimum dimensions	No minimum	No minimum
Light properties (EN 410): τ_v / ρ_v [%]	88/8	86/8
U value (EN 673)	5.6 W/(m ² .K)	5.4 W/(m ² .K)
Impact resistance (EN 12600)	NPD	1B1
Sound reduction (EN 12758): Rw(C, Ctr)	34 dB (-1; -3)	36 dB (-1; -3)

NPD: No performance declared - see Glass Configurator on www.yourglass.com

CERTIFICATIONS according to EN 1364-1, EN 1634-1 & EN 13501-2

APPLICATION ^(*)	REPORT NUMBER	Glazing	Tested dimensions in mm l x h ^(**)			Results (minutes)	
			Portrait	Landscape	Surface	EW	EI
Partition	Pr-05-1.02.62	Pyrobel 8	1000 x 2000	1782 x 802	2 m ²	48	21
	15928 B	Pyrobel 8	1400 x 2874	1383 x 850	4 m ²	31	20
	Pr-07-2-161 EN	Pyrobel 8 EG	1200 x 2000	1598 x 818	2.4 m ²	40	28
Alu – SAPA	LP-724/03	Pyrobel 8	1200 x 2000	-	2.4 m ²	33	24

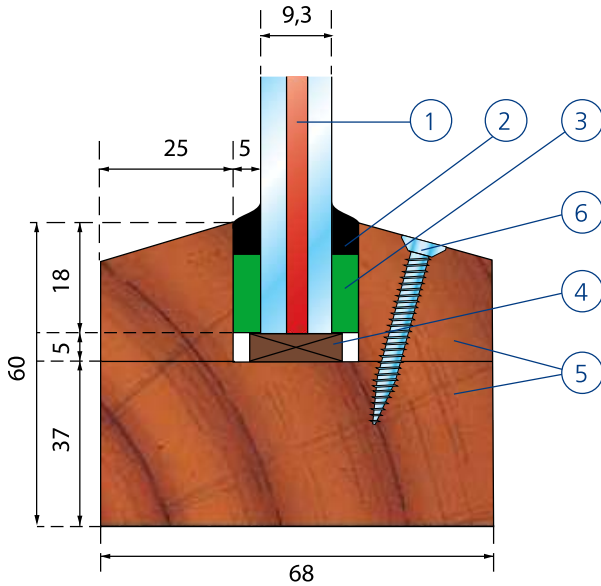
^(*) For alternative systems, please consult AGC

^(**) Extended application of results following EN 15254-4

PYROBEL 8

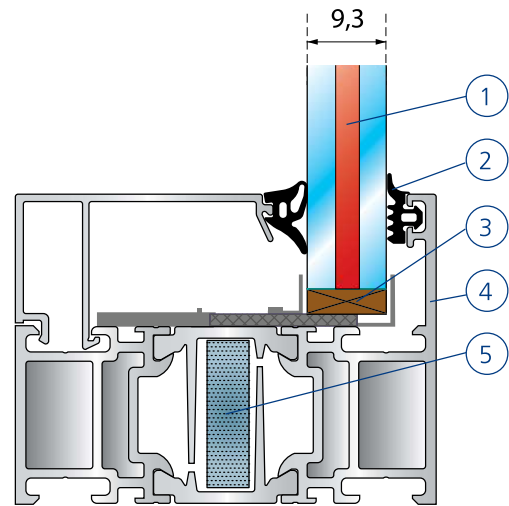
FIRE RESISTANT GLAZING EI 15 AND EW 30 ACCORDING TO EN13501-2

Timber frame (in mm)



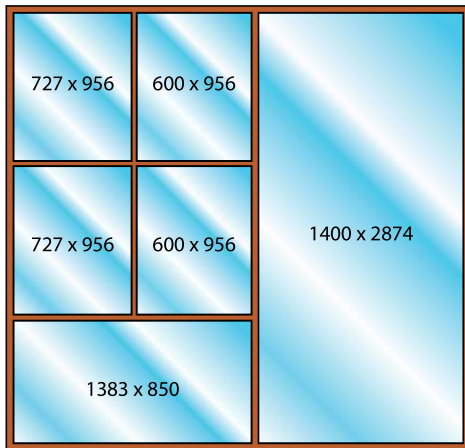
REPORT N° 15928 B

Aluminium frame (in mm)



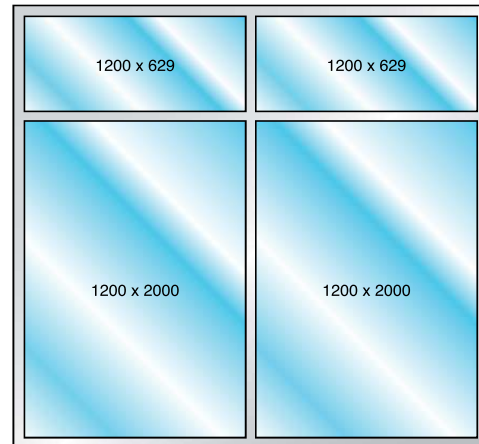
Report N° LP-724-03

Example of assembly (in mm)
Unlimited partition



REPORT N° 15928 B

Example of assembly (in mm)
Unlimited partition



Report N° LP-724-03

- 1 Pyrobel 8
- 2 Neutral silicone
- 3 Ceramic fiber paper Superwool X607 5 mm
- 4 Settings block 5 mm thick
- 5 Wood Meranti
- 6 Steel screw

- 1 Pyrobel 8
- 2 EPDM sealant
- 3 Settings block 4 mm thick
- 4 Aluminium profile
- 5 Fireboard

All of the installation details given in the report must be respected. The only authorised modifications are those mentioned in the report.

www.yourglass.com



GLASS UNLIMITED

AGC Glass Europe – plant Seneffe, Parc industriel, Zone C, B-7180 Seneffe, Belgium, pyrobel@eu.agc.com, Tel.: +32 64 51 05 19, Fax: +32 64 55 80 80
AGC Glass Czech – plant Oloví, Sklářská 300, 357 07 Oloví, Czech Republic, jan.vilcek@eu.agc.com, Tel.: +420 35 23 68 688, Fax: +420 35 23 68 66

Fire Resistant Glass C+E ENG - PrintActive - April 2013

PYROBELITE 10

FIRE RESISTANT GLAZING EW 30

ACCORDING TO EN 13501-2

DESCRIPTION

Pyrobelite 10 is a laminated glass assembled with one clear intumescent interlayer.

In the event of fire, the interlayer transforms into a rigid and opaque fire shield, that keeps out flames and reduces heat transmission. Pyrobelite 10 provides fire resistance in both directions.

TECHNICAL DATA

Specification / Identification

Pyrobelite 10



yourglass.com

Glazing type	Single
Grade	Internal
Glass thickness	11 mm
Thickness tolerance	± 1 mm
Dimension tolerance	± 2 mm
Weight	ca 26 kg/m ²
Minimum dimensions	No minimum
Light properties (EN 410): τ_v / ρ_v [%]	86/8
U value (EN 673)	5.6 W/(m ² .K)
Impact resistance (EN 12600)	2B2
Sound reduction (EN 12758): Rw(C, Ctr)	37 dB (-1; -3)

NPD: No performance declared - see Glass Configurator on www.yourglass.com

CERTIFICATIONS according to EN 1364-1, EN 1634-1 & EN 13501-2

APPLICATION (*)	REPORT NUMBER	Glazing	Tested dimensions in mm l x h (**)			Results (minutes)		
			Portrait	Landscape	Surface	EW	EI	
Partition	Timber	15285 B	Pyrobelite 10	1100 x 2874	1683 x 850	3.16 m ²	36	13
	Steel – Jansen ECO60	15517 B	Pyrobelite 10	1000 x 2860	1775 x 850	2.86 m ²	43	-

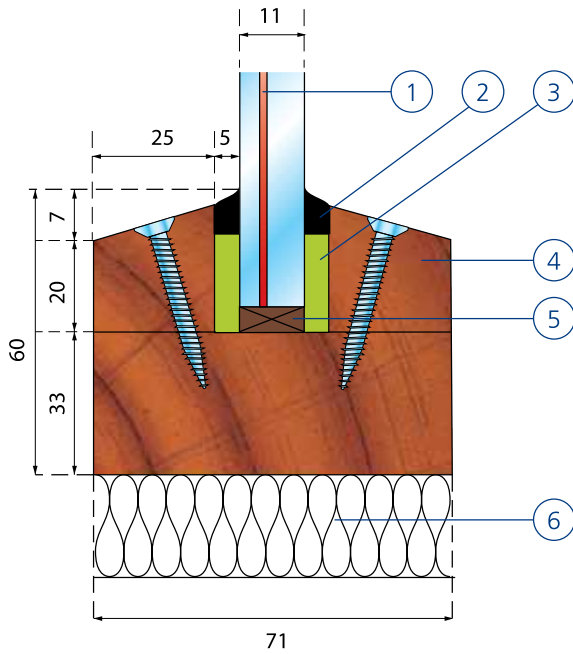
(*) For alternative systems, please consult AGC

(**) Extended application of results following EN 15254-4

PYROBELITE 10

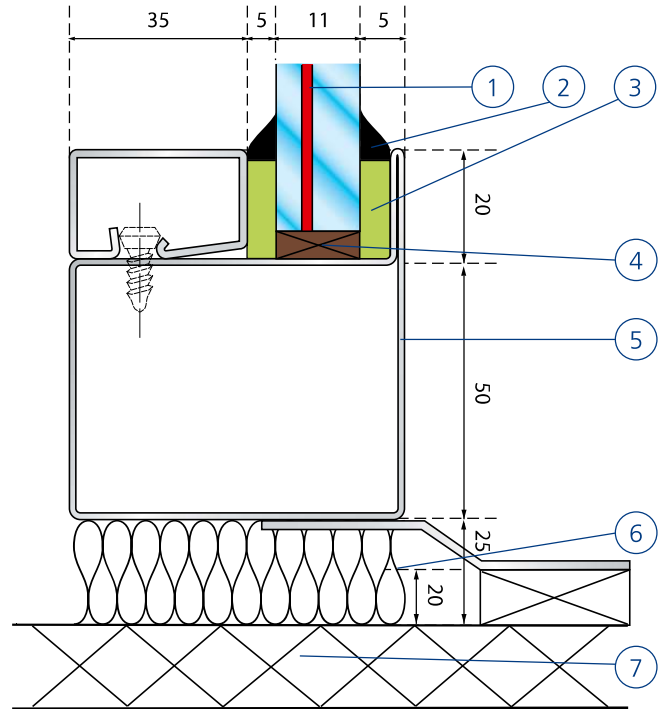
FIRE RESISTANT GLAZING EW 30 ACCORDING TO EN 13501-2

Timber frame (in mm)



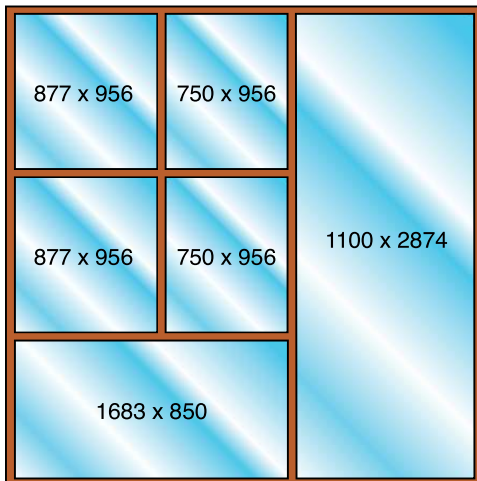
Report N° 15285 B

Steel frame (in mm)



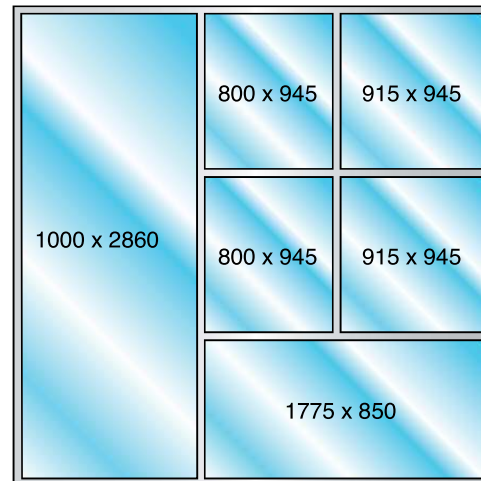
Report N° 15517 B

Example of assembly (in mm)
Unlimited partition



Report N° 15285 B

Example of assembly (in mm)
Doorset - Unlimited partition



Report N° 15517 B

- 1 Pyrobelite 10
- 2 DC Firestop 700
- 3 Ceramic fibre paper: Superwool X607
- 4 Wooden frame
- 5 Setting block
- 6 Stonewool

- 1 Pyrobelite 10
- 2 DC Firestop 700
- 3 Ceramic fibre paper: Superwool X607
- 4 Setting block
- 5 Steel profile Economy 60
- 6 Mineral wool
- 7 Partition

All of the installation details given in the report must be respected. The only authorised modifications are those mentioned in the report.

www.yourglass.com



GLASS UNLIMITED

AGC Glass Europe – plant Seneffe, Parc industriel, Zone C, B-7180 Seneffe, Belgium, pyrobel@eu.agc.com, Tel.: +32 64 51 05 19, Fax: +32 64 55 80 80
AGC Glass Czech – plant Olovi, Sklářská 300, 357 07 Olovi, Czech Republic, jan.vilcek@eu.agc.com, Tel.: +420 35 23 68 688, Fax: +420 35 23 68 66

Fire Resistant Glass C+E ENG - PrintActive - April 2013




PYROBELITE 12

FIRE RESISTANT GLAZING EI 20, EW 30 AND EW 60
ACCORDING TO EN 13501-2

DESCRIPTION

Pyrobelite 12 is a laminated glass assembled with several clear intumescent interlayers. In the event of fire, the interlayers transform into rigid and opaque fire shields, that keep out flames and reduce heat transmission with insulation of the partitions. Pyrobelite 12 and 12 EG provide fire resistance in both directions.

TECHNICAL DATA

Specification / Identification	Pyrobelite 12  yourglass.com	Pyrobelite 12 EG  yourglass.com	Pyrobelite 12 / 12 EG  yourglass.com
Glazing type	Single	Single	Double glazed
Grade	Internal	Internal / External	Internal / External
Glass thickness	12.3 mm	16.1 mm	min 28 mm
Thickness tolerance	± 1 mm	± 1 mm	± 2 mm
Dimension tolerance	± 2 mm	± 2 mm	± 3 mm
Weight	ca 27 kg/m ²	ca 35 kg/m ²	min 43 kg/m ²
Minimum dimensions	No minimum	No minimum	300 x 400 mm
Light properties (EN 410): τ_v / ρ_v [%]	86/8	85/8	NPD
U Value (EN 673)	5.6 W/(m ² .K)	5.4 W/(m ² .K)	NPD
Impact resistance (EN 12600)	2B2	1B1	NPD
Sound reduction (EN 12758): Rw(C, Ctr)	36 dB (-1; -3)	38 dB (-1; -3)	NPD

NPD : No performance declared - see Glass Configurator on www.yourglass.com

CERTIFICATIONS according to EN 1364-1, EN 1634-1 & EN 13501-2

APPLICATION (*)		REPORT NUMBER	Glazing	Tested dimensions in mm l x h (**)			Results (minutes)	
				Portrait	Landscape	Surface	EW	EI
Partition	Timber	157797	Pyrobelite 12	914 x 2400	1886 x 418	2.19 m ²	60	26
		14390 B	Pyrobelite 12 EG	1100 x 2874	1683 x 850	3.16 m ²	59	29
	Steel – Jansen Economy 50	13051 B	Pyrobelite 12	1315 x 2880	1510 x 937	3.79 m ²	35	9
		12529 B		695 x 1889	1424 x 641	1.3 m ²	65	10
		13051 B		695 x 1889	1424 x 641	1.3 m ²	65	10
		14426 B	Pyrobelite 12 EG	1000 x 2860	1775 x 800	2.86 m ²	53	9

(*) For alternative systems, please consult AGC

(**) Extended application of results following EN 15254-4




PYROBEL 16

FIRE RESISTANT GLAZING EI 30 AND EW 60
ACCORDING TO EN 13501-2

DESCRIPTION

Pyrobel 16 is a laminated glass assembled with several clear intumescent interlayers. In the event of fire, the interlayers transform into rigid and opaque fire shields, that keep out flames and reduce heat transmission with insulation of the partitions. Pyrobel 16 and 16 EG provide fire resistance in both directions.

TECHNICAL DATA

Specification / Identification	Pyrobel 16	Pyrobel 16 EG	Pyrobel 16 / 16 EG
	 yourglass.com	 yourglass.com	 yourglass.com
Glazing type	Single	Single	Double Gglazed
Grade	Internal	Internal / External	Internal / External
Glass thickness	17.3 mm	21.1 mm	min 33 mm
Thickness tolerance	± 1 mm	± 1.5 mm	± 3 mm
Dimension tolerance	± 2 mm	± 2 mm	± 3 mm
Weight	ca 40 kg/m ²	ca 48 kg/m ²	min 56 kg/m ²
Minimum dimensions	No minimum	No minimum	300 X 400 mm
Light properties (EN 410): τ_v / ρ_v [%]	84/8	83/7	NPD
U value (EN 673)	5.4 W/(m ² .K)	5.2 W/(m ² .K)	NPD
Impact resistance (EN 12600)	2B2	1B1	NPD
Sound reduction (EN 12758): Rw(C, Ctr)	39 dB (-1; -3)	39 dB (-1; -3)	NPD

NPD: No performance declared - see Glass Configurator on www.yourglass.com

CERTIFICATIONS according to EN 1364-1, EN 1634-1, EN 1364-3 & EN 13501-2

APPLICATION (*)	REPORT NUMBER	Glazing	Tested dimensions in mm l x h (**)			Results (minutes)	
			Portrait	Landscape	Surface	EW	EI
Partition	12277 B	Pyrobel 16	1600 x 2874	1198 x 500	4.6 m ²	48	36
		Pyrobel 16 IGU	1700 x 2874	-	4.89 m ²	49	34
	12341 B	Pyrobel 16	900 x 2836	1872 x 500	2.55 m ²	66	32
			12342 B	1600 x 2836	1172 x 500	4.54 m ²	52
	12447 B	Pyrobel 16	695 x 1889	1424 x 641	1.31 m ²	68	10
	443863/10	Pyrobel 16 EG IGU	1407 x 2839	1371 x 1005	3.99 m ²	45	31
14539 B			-	2835 x 1400	3.97 m ²	49	34
Doors	Pr-03-02.114	Pyrobel 16 IGU	1184 x 2514	-	2.98 m ²	46	36
Façades	EF/FV/1080	Pyrobel 16 IGU	1440 x 2935	-	4.23 m ²	45	31

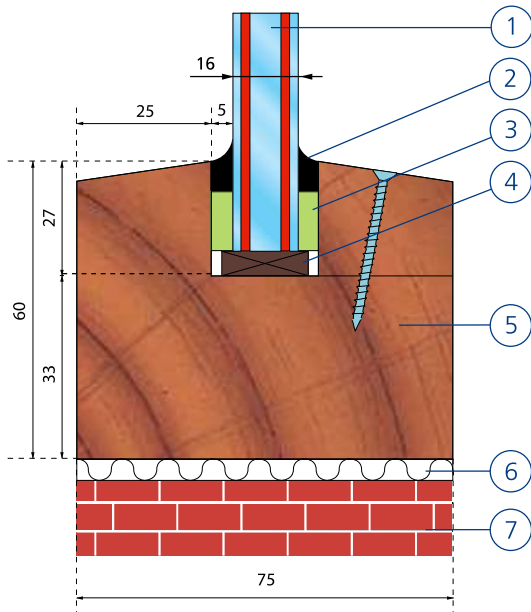
(*) For alternative systems, please consult AGC

(**) Extended application of results following EN 15254-4

PYROBEL 16

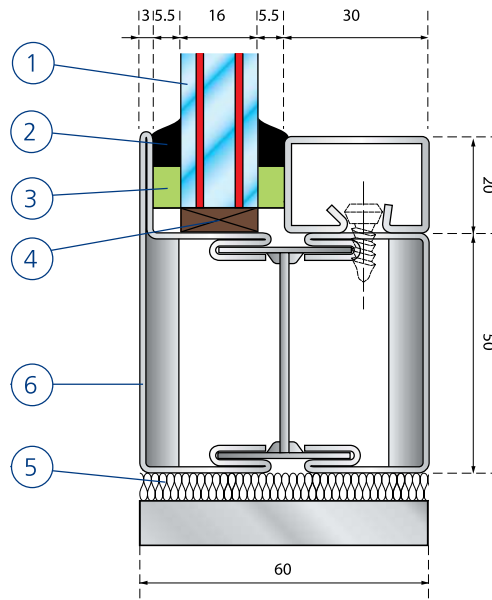
FIRE RESISTANT GLAZING EI 30 AND EW 60 ACCORDING TO EN 13501-2

Timber frame (in mm)



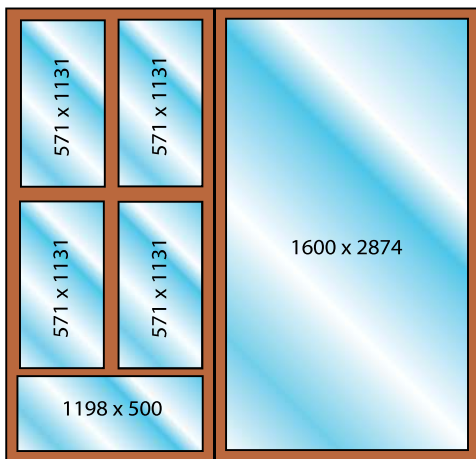
REPORT N° 12277 B

Steel frame (in mm)



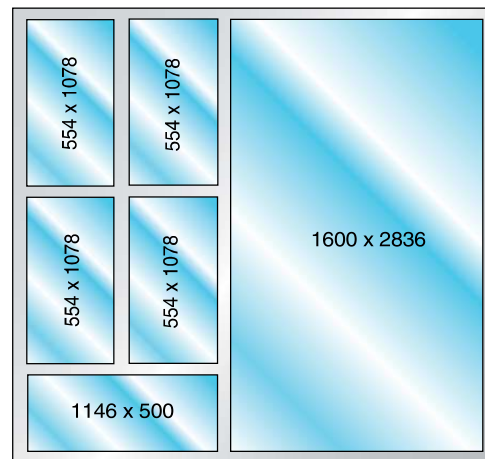
REPORT N° 12342 B

Example of assembly (in mm)
Unlimited partition



REPORT N° 12277 B

Example of assembly (in mm)
Unlimited partition



REPORT N° 12342 B

- 1 Pyrobel 16
- 2 Neutral sealant
- 3 Ceramic fibre paper: Superwool X607 20 x 5 mm
- 4 Setting block
- 5 Hardwood partition
- 6 Ceramic or mineral wool
- 7 Partition

All of the installation details given in the report must be respected. The only authorised modifications are those mentioned in the report.

www.yourglass.com



GLASS UNLIMITED

AGC Glass Europe – plant Seneffe, Parc industriel, Zone C, B-7180 Seneffe, Belgium, pyrobel@eu.agc.com, Tel.: +32 64 51 05 19, Fax: +32 64 55 80 80
AGC Glass Czech – plant Oloví, Sklářská 300, 357 07 Oloví, Czech Republic, jan.vilcek@eu.agc.com, Tel.: +420 35 23 68 688, Fax: +420 35 23 68 66

Fire Resistant Glass C+E ENG - PrintActive - April 2013